



FREQUENTLY ASKED QUESTIONS

Q: What is the value of the VTS?

A: The VTS combines our Safe-Test Point™ with a voltage indicator and conveniently places them within a UL Type protective housing (4, 4X and 12). The protective housing provides tool access for qualified personnel and also helps keep dust and contaminants away from the individual test points.

Q: Is the VTS UL listed?

A: The VTS is UL recognized which enables OEMs (UL 508 Shops) to easily add to their existing UL File.

Q: What are the added benefits of the voltage indicator?

A: The voltage indicator provides a redundant verification and visual representation of voltage presence from outside the door. In addition, the voltage indicator provides the indication of a blown fuse or phase loss in the circuit.

Q: What are the recommended connection accessories for the Voltage Test Station?

A: Recommendations may vary based on application, however, we suggest the following connectors: T&B Sta-Kon Series, 3M Scotchlok, Wago 773 Series, or Wago 222 Series.

Q: Where do I install the Voltage Test Station on my equipment?

A: Voltage Test Station can be directly wired to either the load side or line side of the LOTO voltage source point. It can also be directly wired onto the bus below the fuses to measure a blown fuse or a tripped circuit breaker.

Q: What is the shock hazard when using this device?

A: This high impedance device limits the available current at the test points to 4.7mA at 480V and 5.7mA at 600V. According to OSHA document 3075 (2002) page 7, "any shock hazard under 6mA is considered a slight shock; uncomfortable, but not painful."

Q: Do I need Personal Protective Equipment (PPE)?

A: Use the recommended PPE based on your facility's electrical safety program and adhere to the PPE guidelines in Table 130.7 (C)(16) of the NFPA 70E (2015).

Q: What would a typical Lockout/Tagout (LOTO) procedure include with this device?

A: Follow NFPA 70E Article 120.1 Verification of an Electrically Safe Work Condition. The Voltage Test Station allows voltage measurements from phase to phase and phase to ground to check for presence and absence of voltage safely from outside the enclosure.

Q: How do I perform a "live-dead-live" test with this device?

A: Always follow the "live-dead-live" test procedure as per OSHA and NFPA 70E (2015), Article 110.4(A)(5), 120.1, and Annex G. Sample procedure--with a properly rated test instrument, verify the test instrument to a known source, then insert the test probes into the R-3MT test point assembly to verify the presence of voltage. Next, open the isolator and proceed to verify the absence of voltage on the R-3MT assembly by measuring L1-L2, L1-L3, L2-L3, L1-G, L2-G and L3-G. Once you have verified voltage absence, re-verify the test instrument to a known source.

Q: Do I need to follow any other safety procedures?

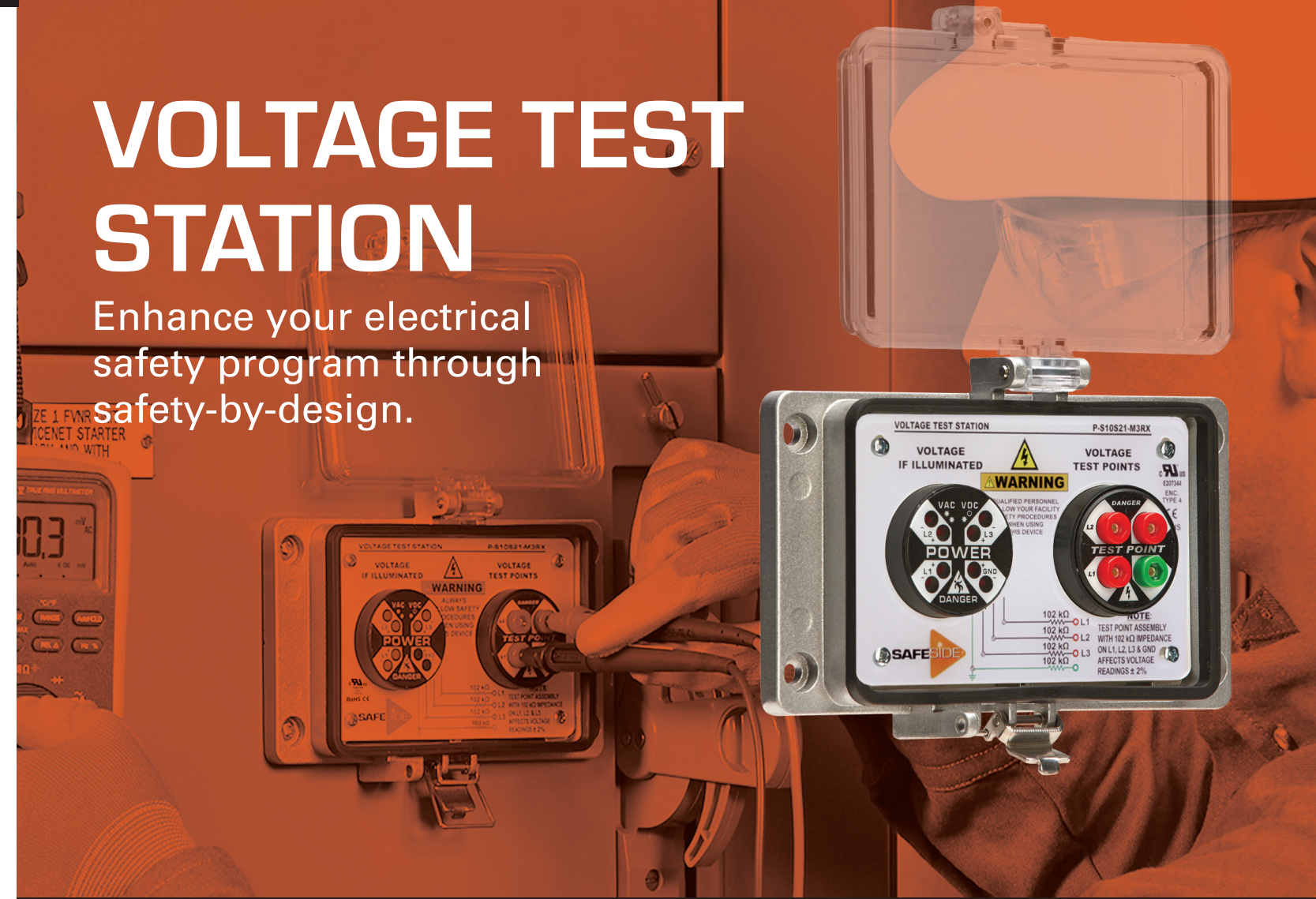
A: Always follow the safety procedure established by your facility and/or employer; in addition, we suggest following a sample procedure outlined on the assembly instructions provided with the Voltage Test Station.

Q: Can I get my company logo printed on the face plate?

A: Absolutely. Custom logo and text options are available on the Voltage Test Station face plate. The recommended file resolution is 600dpi for submitted text and logos. Contact your local Sales Representative for more details.

VOLTAGE TEST STATION

Enhance your electrical safety program through safety-by-design.



VOLTAGE TEST STATION FEATURES

- ▶ The Voltage Test Station (VTS) is a Permanent Electrical Safety Device (PESD) that allows workers a safer way to verify presence or absence of voltage from outside the electrical cabinet.
- ▶ The VTS combines our Safe-Test Point™ with a voltage indicator conveniently placed within a protective housing. It can be hardwired directly to energy sources and allows visual verification and measurement of AC/DC voltages through a meter test.
- ▶ Provides a safer and more productive method of performing Lockout/Tagout (LOTO), while exceeding NFPA 70E standards and meeting the OSHA energy isolation principle.
- ▶ Various lockable housing options add additional layers of protection and allow authorized personnel to conveniently access the VTS.

Warning: Verify an electrical conductor has been de-energized using an adequately rated test instrument before working on it. Follow appropriate Energy Control (Lockout/Tagout) procedures as per OSHA Subpart S.

© Grace Engineered Products, Inc. All rights reserved. Specifications are subject to change with/without notice.



D-VTS-DS-0916-EN

FOR MORE INFORMATION VISIT PESD.COM OR CALL 1.800.280.9517





Component Code
P-S10S21-M2RX-V
 UL Type Exception Code



P-S10S21-M2RX-V

OPERATION

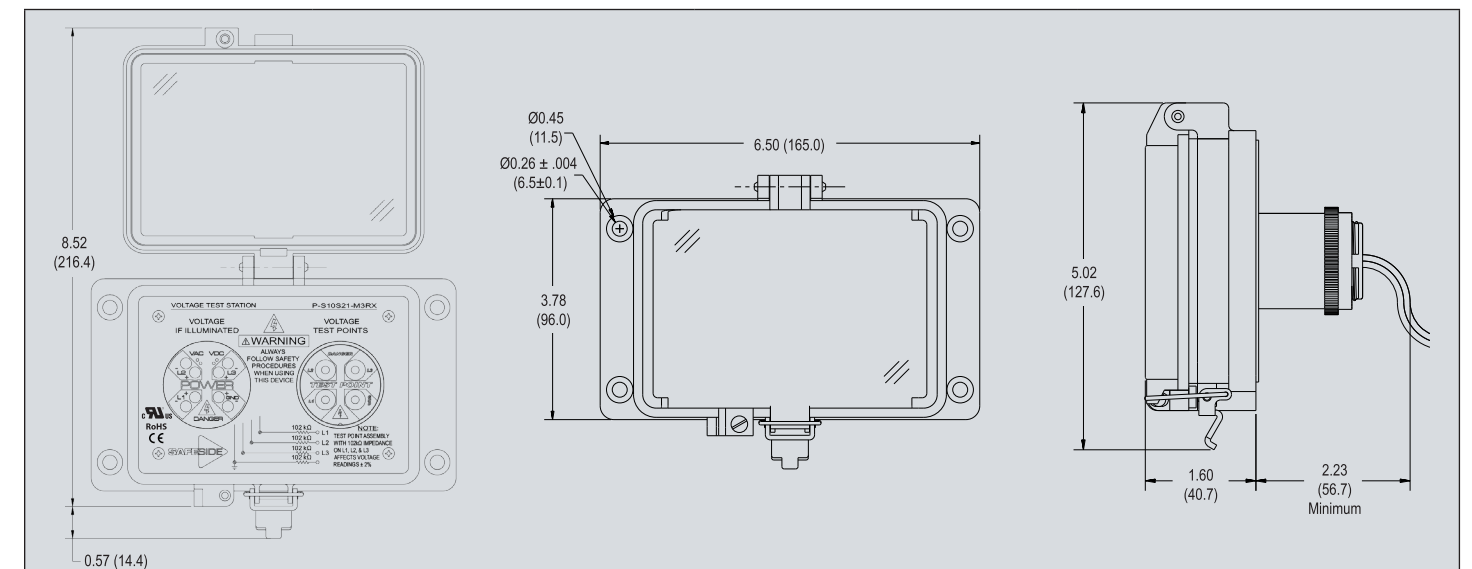
The **Voltage Test Station (VTS)** combines our Safe-Test Point™ with a voltage indicator conveniently placed within a protective housing. The VTS test point jacks allow measurement of AC/DC voltages either phase to phase or phase to ground. The R-3W Series voltage indicators with either flashing or non-flashing LEDs visually represent presence of voltage. Following facility safety procedures, insert the insulated meter probes with .080" tips into any two test point jacks to take a voltage reading with properly rated test equipment (see *Equipment Requirements*).

VOLTAGE TEST STATION AND COMPONENTS TECHNICAL SPECIFICATIONS

| COMPONENT CODE | CAT III & IV RATED | | | | Safe-Test Point™ (S21) |
|--|---|-----------------------------------|-----------------------------------|-----------------------------------|---|
| | R-3W (S10) | R-3W2 (S11) | R-3WSR (S12) | R-3WA-RA (S13) | |
| Product Number | P-S10S21-M2RX P-S10S21-M2RX-V* | P-S11S21-M3RX P-S11S21-M3RX-V* | P-S12S21-M2RX P-S12S21-M2RX-V* | P-S13S21-M3RX P-S13S21-M3RX-V* | N/A |
| Voltage Indicator | Flashing red LEDs | Flashing red LEDs | Non-flashing red LEDs | Flashing red with amber gnd LEDs | N/A |
| Housing Dimensions | M Housing (see <i>Housing Dimensions to the right</i>) | | | | K Housing (Not shown. Safe-Test Point™ ONLY configurations) |
| Operating & Storage Temperature | Operate: -20°C to +55°C Storage: -45°C to +85°C | | | | |
| Operational Range AC Single or 3-Phase | 40-600VAC 50/60Hz | 40-600VAC 50/60/400Hz | 40-600VAC 50/60Hz | 40-600VAC 50/60Hz | 0 to 600VAC phase to phase or phase to ground 0 - 400HZ |
| Operational Range DC or Stored Energy | 30 to 600 VDC | | | | 0 to 600VDC, any (2) wires line-to-line or line-to-ground |
| Safe-Test Point™ Internal Resistance | 102 kΩ 6 Watt, 5% Tolerance in series with each input (L1,L2,L3 and GND) wire to respective output jack maximum momentary | | | | |
| Safe-Test Point™ Correction Factor | 1.02 x Test Point voltage reading with a 10MΩ meter | | | | |
| Wire Specifications | PVC insulated with nylon jacket, 6ft, 18AWG Wire, 90°C @ 1000V, UL 1452, pre-stripped and tinned | | | | |
| Certifications | UL File (RU) #E207344, CE, RoHS | | | | N/A |

Special configurations and custom labels available upon request. Contact your sales representative for more information today.
 *Part numbers ending in V are vertical mount units.

HOUSING OPTIONS



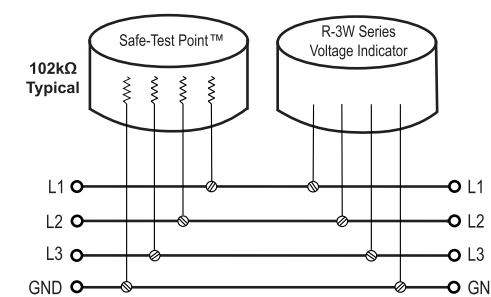
| HOUSING CODE | M2 | M3 | M4 |
|--------------------------------------|---|----|-----|
| UL TYPE | 4X | 4 | 12 |
| IP Rating | IP65 | | N/A |
| DIMENSIONS L x W x D IN/MM (OVERALL) | L: 6.50 (165.0) X W: 3.78 (96.0) X D: 2.50 (64.0) | | |

Stainless Steel housing (304 & 316) is also available. K4, K3 & K2 Housings (not shown) are available for Safe-Test Point™ only configurations. Contact a sales representative for more information.

EQUIPMENT REQUIREMENTS

Voltage test instrument with 1000V AC/DC rated input minimum, a typical 10MΩ input impedance and CAT III & IV. A pair of insulated test probes with .080" DIA. points with minimum probe insertion length of .480".

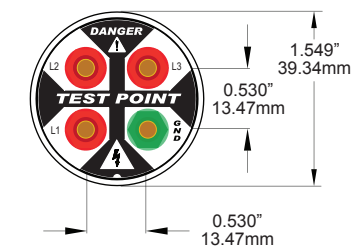
TYPICAL WIRING CONFIGURATION



Note:
 The Voltage Test Station can be installed on either the load or line side based on your application.

SAFE-TEST POINT™ DETAIL

- ▶ 3 Red Jacks
- ▶ 1 Green Insulated Jack
- ▶ .080" DIA Pin Sockets
- ▶ 30mm push button hole
- ▶ Minimum insertion length .480"



FOR MORE INFORMATION VISIT PESD.COM OR CALL 1.800.280.9517

Warning: Verify an electrical conductor has been de-energized using an adequately rated test instrument before working on it. Follow appropriate Energy Control (Lockout/Tagout) procedures as per OSHA Subpart S.

© Grace Engineered Products, Inc. All rights reserved. Specifications are subject to change with/without notice.

